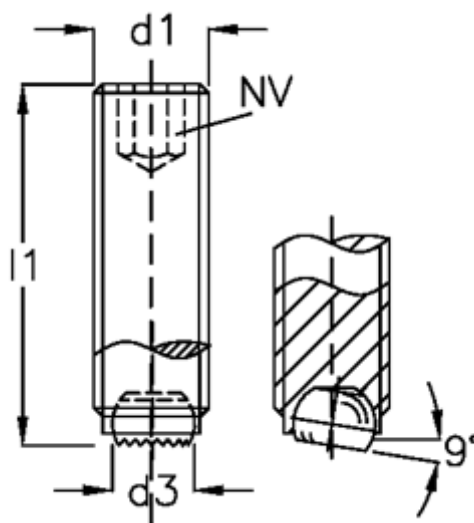


Article number: 20907635A

Description: E+G Ball point screw  
GN 605-M8-10-VR

## Measures

---



d1	= M8
d2	= 5.5
d3	= 4.5
Internal hexagon	= 4
l1	= 10